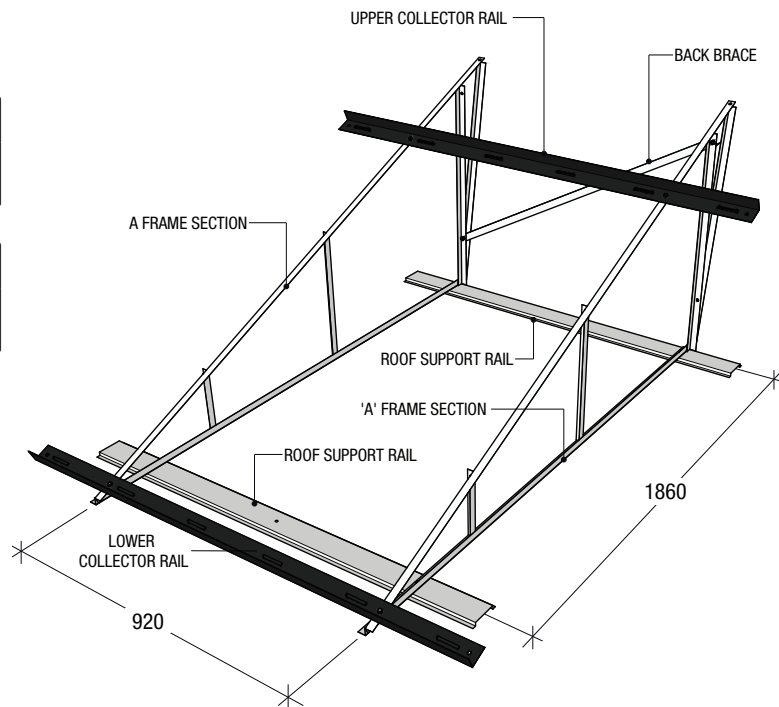


Thermosiphon Systems: Thermosiphon System on Flat Roof Stand

Standard kits included with the solar thermal systems:

Single collector system
1 x Stand kit for single flat plate collector (K1008) (including parts kit K1010)

Two collector system
1 x Stand kit for two flat plate collector (K1009) (including parts kit K1011)



Assembling & Installing the Flat Roof Stand

1. Bolt the roof supports to the underside edge of the 'A' frames using the M8 bolts and nuts with washers (Fig 1)
2. Bolt the back brace to the rear edge of the 'A' frames using the M8 bolts and nuts with washers (Fig 2)
3. Attach the roof support rails to the flat roof area by one of the following methods:
 - Concrete: Fix directly into concrete using dynabolts.
 - Colorbond roof (or similar): Fix through the roofing material and into the purlin / frame below

Ensure all possible water entry points are appropriately sealed.

Installing Flat Plate Collector/s

4. Before preparing to lift the collector/s into position install all brass fittings using appropriate jointing methods and referring to the collector connection table (refer to the instructions accompanying the thermosiphon system)
5. Place the bottom collector mounting rail at the lower end of the 'A' frames, centralise and bolt into position (Fig 3)
6. Measure up the 'A' frame the required length of the panel and fit off the upper collector mounting rail (Fig 3)
7. Position the collector/s between the mounting rails (Fig 4)
8. If multiple collector panels are being installed connect panels using barrel unions provided
9. Secure the collector panel/s into position by screwing through the mounting rail and into the collector/s using the supplied screws (Fig 5)

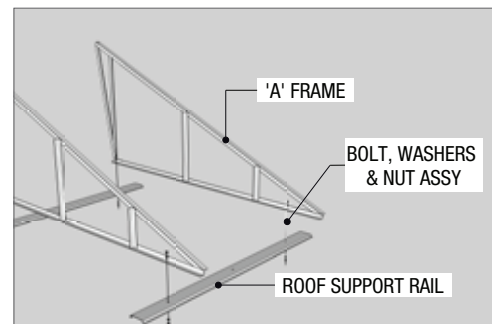


Fig 1

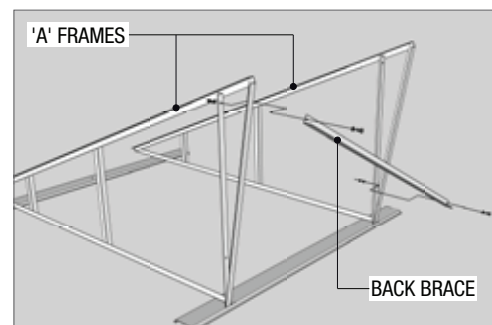


Fig 2

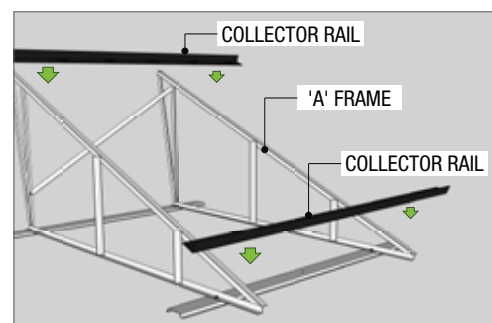


Fig 3

K1008
(K1010)

K1009
(K1011)

Installing the Storage Tank

10. Before preparing to lift the tank into position install all brass fittings using appropriate jointing methods and referring to the tank connection table (refer to the instructions accompanying the thermosiphon system)
11. Carefully lift the storage tank into position and centralise it along the top edge of the collectors (Fig 6)
12. Fold the stainless steel straps (supplied) in half and feed them through the eyelets on the steel Tank Fixing Lugs (Fig 7)
13. Fix the straps along and down the 'A' frame using the supplied screws to secure the tank (Fig 8)
14. Complete the flow and return plumbing as per the particular system schematics
15. Connect the hot & cold water pipes to the particular connections on the tank and complete the drain pipe for the PTR valve in an appropriate manner

Approved flashings must be used when penetrating the roof, following the flashing manufacturer's recommendations

Frost Protection

Frost valves are required for all solar hot water systems installed in Victoria and areas where the temperature drops below 10°C.

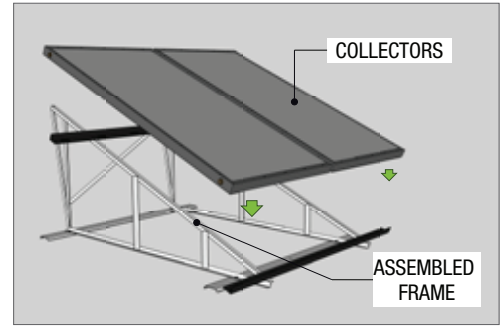


Fig 4

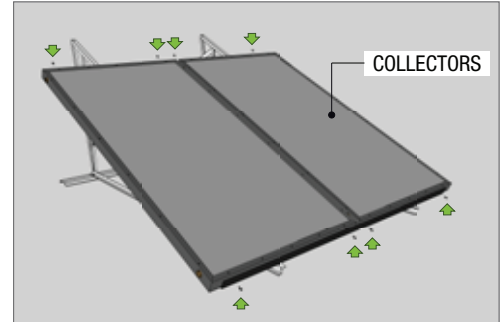


Fig 5

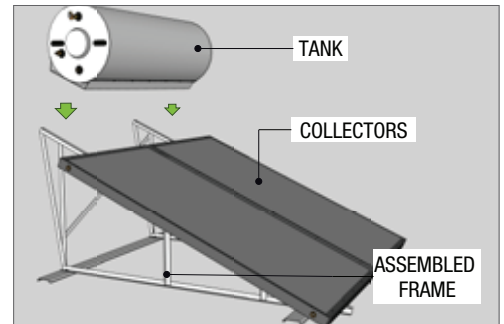


Fig 6

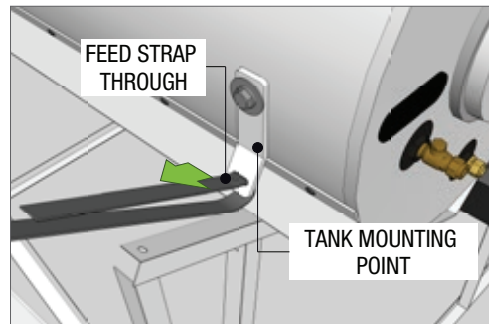


Fig 7

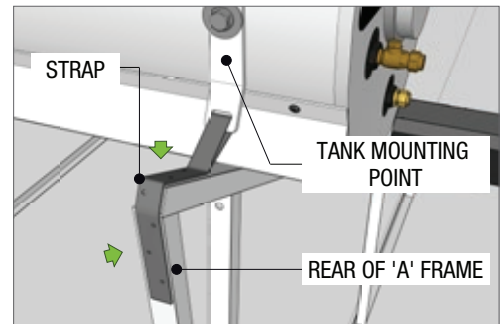


Fig 8

CA-IN-S-K1008/
K1009.2
052016

Thermo
Systems:
Roof Stand
2



Looking for More
Installation Instructions?

Visit www.chromagen.com.au/shw-documentation
or scan QR code



Need the Owner's Care
& Maintenance Guide?

Visit www.chromagen.com.au/owners-guide
or scan QR code

Chromagen Australia Pty Ltd | chromagen.com.au | info@chromagen.com.au | 1300 367 565

VICTORIA | NEW SOUTH WALES | QUEENSLAND | NORTHERN TERRITORY | WESTERN AUSTRALIA | SOUTH AUSTRALIA